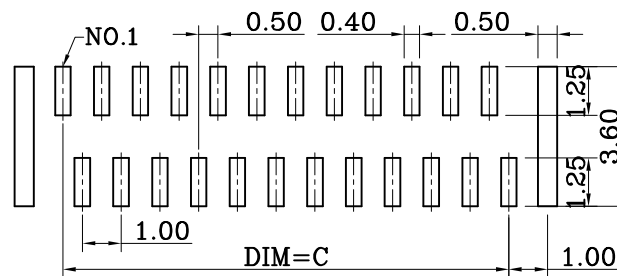
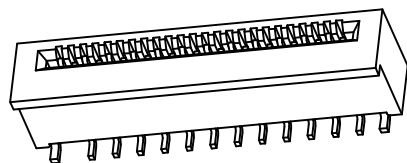
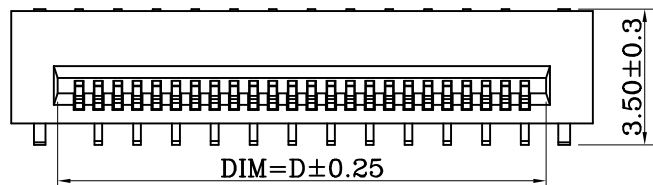
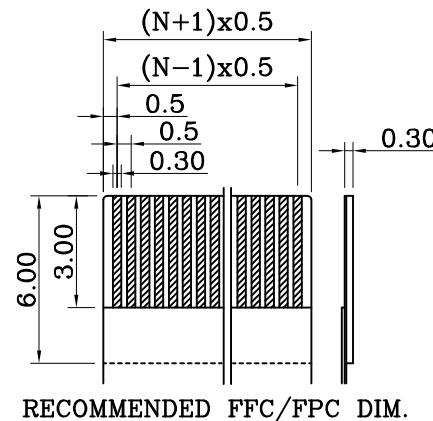
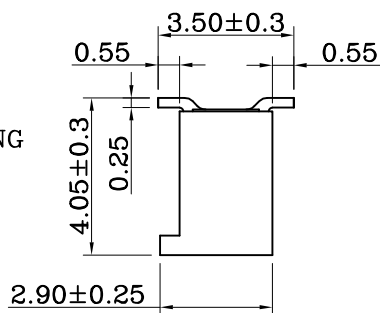
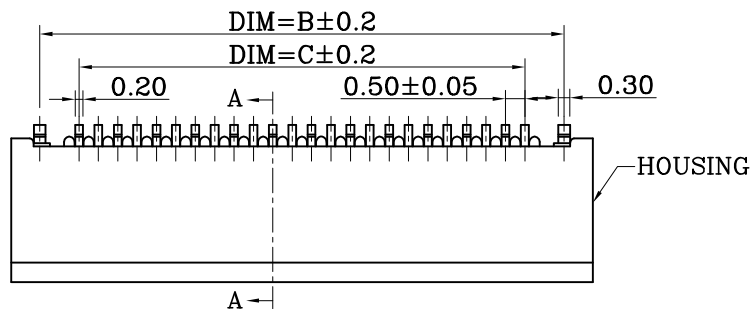


SECTION A-A

MATERIAL AND FINISH:

1. Housing: LCP (UL94V-0) Ivory
2. Contact: Phosphor Bronze, Sn Plated Over Nickel
3. Fiting Nial: Brass, Sn Plated Over Nickel



NEGATIVE-NEEDLE CIRCUIT BOARD

僅供參考

PIN NO.	DIM=A	DIM=B	DIM=C	DIM=D
50P	28.00	26.50	24.50	25.60
49P	27.50	26.00	24.00	25.10
48P	27.00	25.50	23.50	24.60
47P	26.50	25.00	23.00	24.10
46P	26.00	24.50	22.50	23.60
45P	25.50	24.00	22.00	23.10
44P	25.00	23.50	21.50	22.60
43P	24.50	23.00	21.00	22.10
42P	24.00	22.50	20.50	21.60
41P	23.50	22.00	20.00	21.10
40P	23.00	21.50	19.50	20.60
39P	22.50	21.00	19.00	20.10
38P	22.00	20.50	18.50	19.60
37P	21.50	20.00	18.00	19.10
36P	21.00	19.50	17.50	18.60
35P	20.50	19.00	17.00	18.10
34P	20.00	18.50	16.50	17.60
33P	19.50	18.00	16.00	17.10
32P	19.00	17.50	15.50	16.60
31P	18.50	17.00	15.00	16.10
30P	18.00	16.50	14.50	15.60
29P	17.50	16.00	14.00	15.10
28P	17.00	15.50	13.50	14.60
27P	16.50	15.00	13.00	14.10
26P	16.00	14.50	12.50	13.60
25P	15.50	14.00	12.00	13.10
24P	15.00	13.50	11.50	12.60
23P	14.50	13.00	11.00	12.10
22P	14.00	12.50	10.50	11.60
21P	13.50	12.00	10.00	11.10
20P	13.00	11.50	9.50	10.60
19P	12.50	11.00	9.00	10.10
18P	12.00	10.50	8.50	9.60
17P	11.50	10.00	8.00	9.10
16P	11.00	9.50	7.50	8.60
15P	10.50	9.00	7.00	8.10
14P	10.00	8.50	6.50	7.60
13P	9.50	8.00	6.00	7.10
12P	9.00	7.50	5.50	6.60
11P	8.50	7.00	5.00	6.10
10P	8.00	6.50	4.50	5.60
9P	7.50	6.00	4.00	5.10
8P	7.00	5.50	3.50	4.60
7P	6.50	5.00	3.00	4.10
6P	6.00	4.50	2.50	3.60

**XIAN YI PRECISION CO., LTD.**  
祥益精密股份有限公司

TITLE / 品名: 0.5mm FPC Connector RoHS

PART NO / 料號: F364X-XXP-XXXXR

核準發行章

APPROVE / 核準	CHECKED / 審查	DRAWING / 繪圖	DRAWING NO / 圖號	UNIT / 單位	 GENERAL TOLERANCE X ±0.50 .X ±0.38 .XX ±0.20 .XXX ±0.10	 1.0 圖面僅供參考, 實際尺寸以承認圖為主	2011/03/02	 NO. REV / 版本 修訂內容 日期
James	James	Chenrong		mm	SHEET 1 OF 1			